

SPECIFICATION

Product : 3535 Ceramic UV LED

Part No. : IWS-C352L-UV-395K1

Date : 2015. 05. 08 Ver. 0.1

Proposed By	Checked By	Checked By	Checked By	Approval
결재완료				

Comment



ITSWELL Co., Ltd
58B-4L, 626-3 Gojan-dong, Namdong-gu, Incheon 405-817 KOREA
TEL:+82-32-813-1910, FAX:+82+32-822-9009
URL: <http://www.itswell.com>

Table of Contents

< Contents >	< Page >
1. Features	3
2. Applications	3
3. Outline Drawing and Dimension	3
4. Absolute Maximum Ratings	4
5. Electro-optical Characteristics	4
5.1 Radiant Flux Rank	4
5.2 Forward Voltage Rank	4
5.3 Peak Wavelength Rank	4
6. Typical Characteristics Curves	5

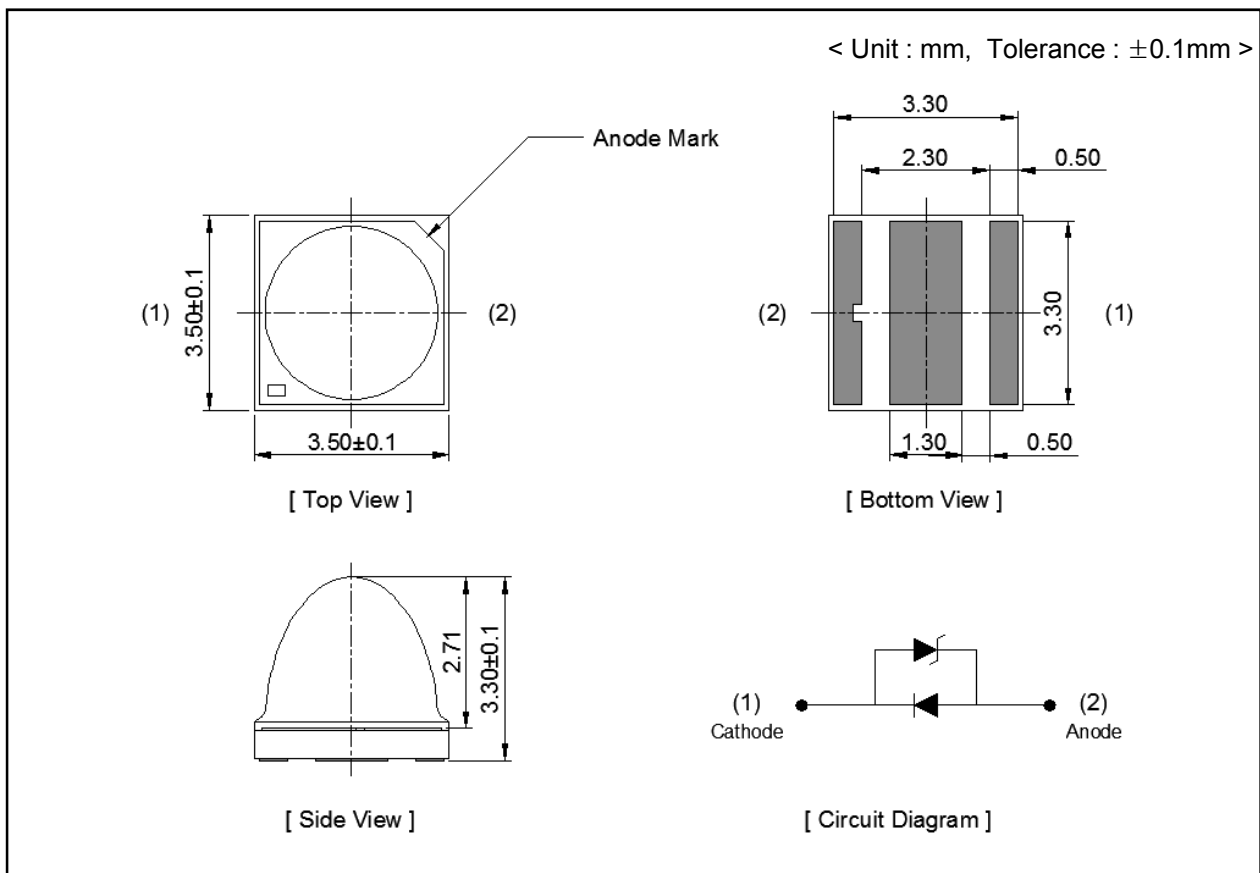
1. Features

- SMD Ceramic Package with Silicone Lens
- Small Size High-flux LED : 3.5 x 3.5 x 3.3 mm
- Wide Viewing Angle : 50°

2. Applications

- UV Curing
- Phototherapy
- Air / Water Purification
- Counterfeit Detection
- Analytical Instruments
- Tanning

3. Outline Drawing and Dimension



Note

1. All dimensions are in millimeters
2. All dimensions without tolerances are for reference only

4. Absolute Maximum Ratings (Ta = 25 °C)

Parameter	Symbol	Value	Unit
Power Dissipation	P_d	2.66	W
Continuous Forward Current	I_F	700	mA
Peak Forward Current ^{※1}	I_{FP}	1000	mA
Operating Temperature	T_{opr}	-30 ~ +85	°C
Storage Temperature	T_{stg}	-40 ~ +100	°C
Soldering Temperature	T_{sol}	260 (5sec)	°C
Thermal Resistance	R_{thj-a}	6	°C/W

※1 Duty ratio = 1/10, Pulse width = 1ms

5. Electrical & Optical Characteristics (Ta : 25°C)

Parameter	Symbol	Conditions	Min.	Typ.	Max.	Unit.
Forward Voltage ^{※2}	V_F	$I_F = 500\text{mA}$	3.2	-	3.8	V
Reverse Voltage	V_{RZ}	$I_R = 5\text{mA}$	0.7	0.8	1.5	V
Radiant Flux ^{※3}	Φ_e	$I_F = 500\text{mA}$	800	-	1,200	mW
Radiant Intensity ^{※4}	I_e	$I_F = 500\text{mA}$	600	800	-	mW/sr
Peak Wavelength ^{※5}	W_p	$I_F = 500\text{mA}$	390	-	400	nm
Viewing Angle ^{※6}	$2\theta_{1/2}$	$I_F = 500\text{mA}$	-	50	-	deg.

※2 Forward Voltage has a tolerance of $\pm 0.05\text{V}$.

※3 Radiant Flux is measured with an integrating sphere and has an accuracy of 10%.

※4 Radiant Intensity is measured at solid angle of $\Omega = 0.01\text{sr}$ and has an accuracy of 10%.

※5 Peak Wavelength has an accuracy of $\pm 0.01\text{nm}$.

※6 Viewing Angle is the angle until 50% of brightness measured from the front part of LED.

5.1 Radiant Flux Rank

Rank	Radiant Flux (mW)
H	800 ~ 900
J	900 ~ 1,000
K	1,000 ~ 1,100
L	1,100 ~ 1,200

5.2 Forward Voltage Rank

Rank	Forward Voltage (V)
4	3.2 ~ 3.4
6	3.4 ~ 3.6
8	3.6 ~ 3.8

5.3 Peak Wavelength Rank

Rank	Peak Wavelength (nm)
Ue	390 ~ 400

6. Typical Characteristic Curve

