

SPECIFICATION

Product : Ceramic 3535 UV LED

Part No. : IWS-C352L-UV-385K1

Date : 2015. 05. 08 Ver. 0.1

Proposed By	Checked By	Checked By	Checked By	Approval
결재완료				

Comment



ITSWELL Co., Ltd
58B-4L, 626-3 Gojan-dong, Namdong-gu, Incheon 405-817 KOREA
TEL:+82-32-813-1910, FAX:+82+32-822-9009
URL: <http://www.itswell.com>

Table of Contents

< Contents >	< Page >
1. Features	3
2. Applications	3
3. Outline Drawing and Dimension	3
4. Absolute Maximum Ratings	4
5. Electro-optical Characteristics	4
5.1 Radiant Flux Rank	4
5.2 Forward Voltage Rank	4
5.3 Peak Wavelength Rank	4
6. Typical Characteristics Curves	5

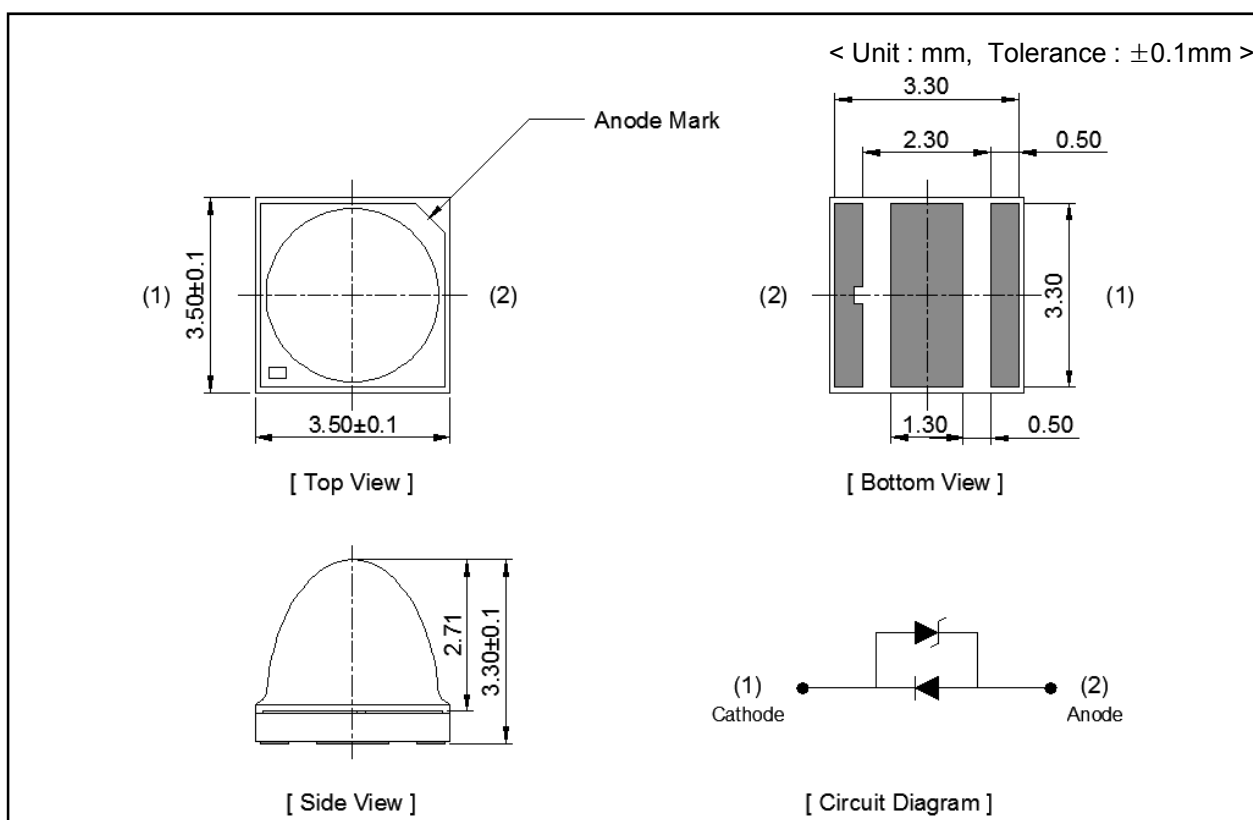
1. Features

- SMD Ceramic Package with Silicone Lens
- Small Size High-flux LED : 3.5 x 3.5 x 3.3 mm
- Wide Viewing Angle : 50°

2. Applications

- Architectural Lighting
- UV Curing
- UV Printer
- General Lighting

3. Outline Drawing and Dimension



Note

1. All dimensions are in millimeters
2. All dimensions without tolerances are for reference only

4. Absolute Maximum Ratings (Ta = 25 °C)

Parameter	Symbol	Value	Unit
Power Dissipation per Chip	P_d	2.66	W
Continuous Forward Current	I_F	700	mA
Peak Forward Current *1	I_{FP}	1000	mA
Operating Temperature	T_{opr}	-30 ~ 85	°C
Storage Temperature	T_{stg}	-40 ~ 100	°C
Soldering Temperature	T_{sol}	260 (5sec)	°C
Thermal Resistance	R_{thj-a}	6	°C/W

*1 Duty ratio = 1/10, Pulse width = 1ms

5. Electrical & Optical Characteristics (Ta : 25°C)

Parameter	Symbol	Conditions	Min.	Typ.	Max.	Unit.
Forward Voltage *2	V_F	$I_F = 500\text{mA}$	3.2	-	3.8	V
Reverse Voltage	V_{RZ}	$I_R = 5\text{mA}$	0.7	0.8	1.5	V
Radiant Flux *3	Φ_e	$I_F = 500\text{ mA}$	800	-	1,100	mW
Radiant Intensity *4	I_e	$I_F = 500\text{mA}$	400	500	-	mW/sr
Peak Wavelength *5	W_P	$I_F = 500\text{ mA}$	380	-	390	nm
Viewing Angle *6	$2\theta_{1/2}$	$I_F = 500\text{ mA}$	-	50	-	deg.

*2 Forward Voltage has a tolerance of $\pm 0.05\text{ V}$.

*3 Radiant Flux is measured with an integrating sphere and has an accuracy of 10%.

*4 Radiant Intensity is measured at solid angle of $\Omega = 0.01\text{sr}$ and has an accuracy of 10%.

*5 Peak Wavelength has an accuracy of $\pm 0.01\text{ nm}$.

*6 Viewing Angle is the angle until 50% of brightness measured from the front part of LED.

5.1 Radiant Flux Rank

Rank	Radiant Flux (mW)
H	800 ~ 900
J	900 ~ 1,000
K	1,000 ~ 1,100

5.2 Forward Voltage Rank

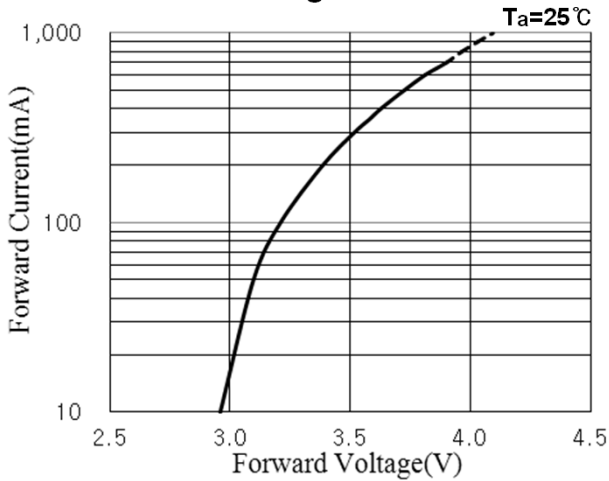
Rank	Forward Voltage (V)
4	3.2 ~ 3.4
6	3.4 ~ 3.6
8	3.6 ~ 3.8

5.3 Peak Wavelength Rank

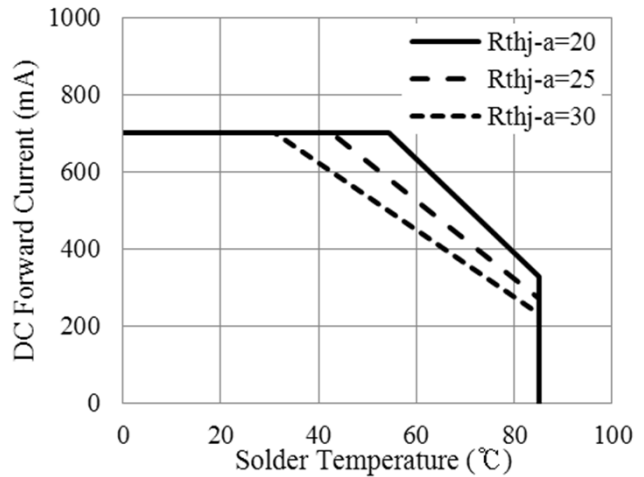
Rank	Peak Wavelength (nm)
Ud	380 ~ 390

6. Typical Characteristic Curve

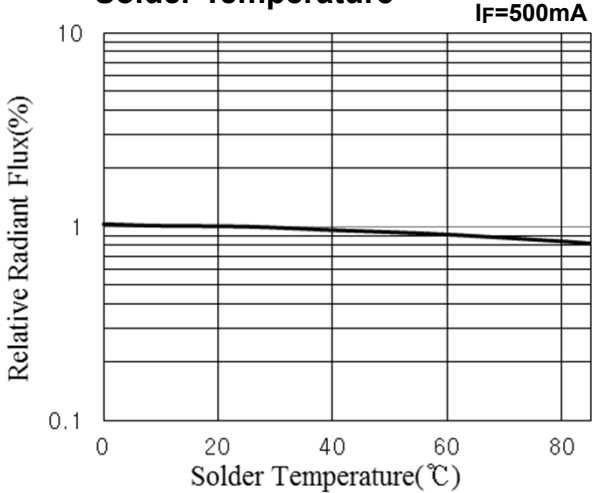
Forward Current vs. Forward Voltage



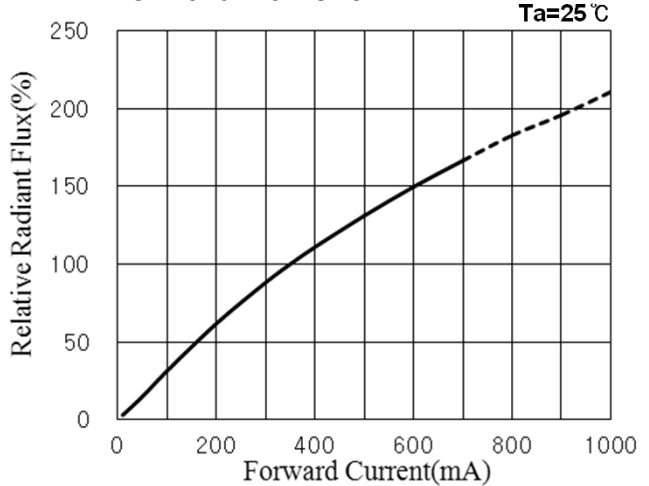
Forward Current vs. Solder Temperature



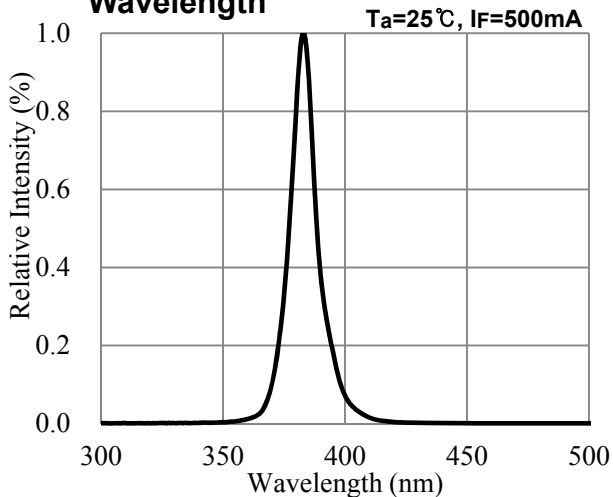
Relative Radiant Flux vs. Solder Temperature



Relative Radiant Flux vs. Forward Current



Relative Intensity vs. Wavelength



Radiant Diagram

