

SPECIFICATION

Product : Topview 5050 White SMD LED

Part No. : IWS-L5056-WYW-K3

Date : 2011. 10. 06 Ver. 1.0

| Proposed By | Checked By | Checked By | Checked By | Approval |
|-------------|------------|------------|------------|----------|
| 결 재 완 료 | | | | |

Comment

ITSWELL 

ITSWELL Co., Ltd
58B-4L, 626-3 Gojan-dong, Namdong-gu, Incheon 405-817 KOREA
TEL:+82-32-813-1801, FAX:+82+32-816-1900
URL: <http://www.itswell.com>

Topview 5050 SMD LED

IWS-L5056-WYW-K3



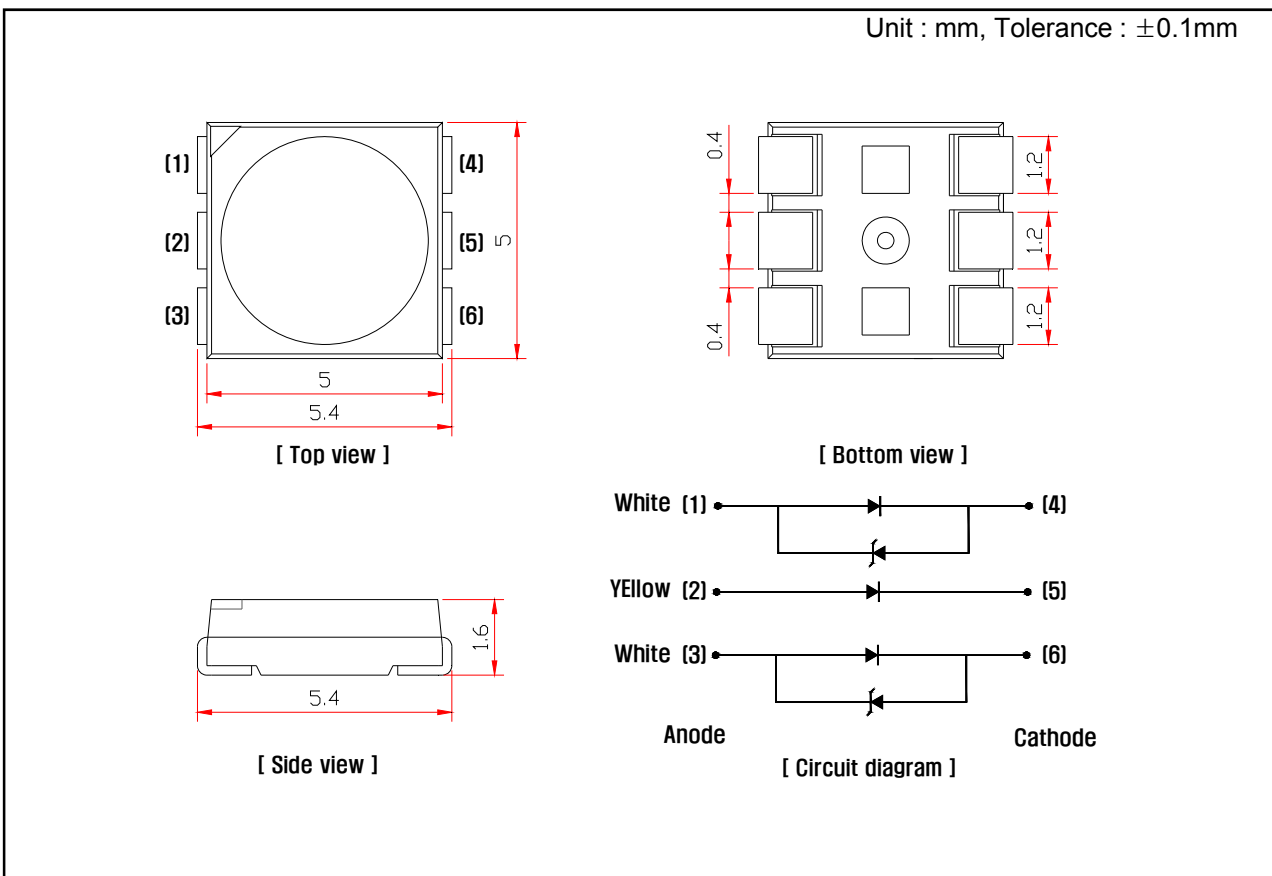
1. Features

- 3 Chip High-Luminosity SMD LED
- 5.4 x 5.0 x 1.6 mm (L x W x H), 6-Pin, Small Size Surface Mount Type
- Wide Viewing Angle
- Long Operating Life

2. Applications

- Automotive: Backlight in Dashboard and Switch
- Lighting Device: Indicator, General Lighting
- Camera Flash, Hand Carrier Flash
- General Use

3. Outline Drawing and Dimension



Note

1. All dimensions are in millimeters
2. All dimensions without tolerances are for reference only

4. Absolute Maximum Ratings($T_a = 25\text{ }^\circ\text{C}$)

| Parameter | Symbol | Value | | Unit |
|------------------------------------|-----------|------------|--------|------------------|
| | | White | Yellow | |
| Power Dissipation | P_d | 216 | 78 | mW |
| Continuous Forward Current | I_F | 60 | 30 | mA |
| Peak Forward Current ^{*1} | I_{FP} | 200 | 100 | mA |
| Operating Temperature | T_{opr} | -30 ~ 85 | | $^\circ\text{C}$ |
| Storage Temperature | T_{stg} | -40 ~100 | | $^\circ\text{C}$ |
| Soldering Temperature | T_{sol} | 260 (5sec) | | $^\circ\text{C}$ |

*1 Duty ratio = 1/10, Pulse width = 0.1ms

5. Electro-optical Characteristics($T_a = 25\text{ }^\circ\text{C}$)

| Parameter | Symbol | Conditions | Min. | Typ. | Max. | Unit. |
|-----------------------------------|-----------------|----------------------------|---------------------------------|------|------|---------------|
| Forward Voltage | V_F | $I_F = 40\text{mA}$ White | 2.9 | - | 3.4 | V |
| | | $I_F = 20\text{mA}$ Yellow | 1.8 | - | 2.6 | V |
| Reverse Current | I_R | $V_R = 5\text{V}$ Yellow | - | - | 10 | μA |
| Reverse Voltage | V_{ZR} | $I_R = 5\text{mA}$ White | 0.7 | - | 1.5 | V |
| Color Coordinates ^{*2} | CIE x CIE y | $I_F = 40\text{ mA}$ White | Refer to Color Coordinates Rank | | | |
| Dominant Wavelength ^{*3} | λ_D | $I_F = 20\text{mA}$ Yellow | 588 | - | 594 | nm |
| Luminous Intensity ^{*4} | I_v | $I_F = 40\text{mA}$ White | 3000 | - | 5000 | mcd |
| | | $I_F = 20\text{mA}$ Yellow | 500 | - | 1100 | mcd |
| Viewing angle ^{*5} | $2\theta_{1/2}$ | $I_F = 40\text{mA}$ White | - | 120 | - | deg |
| | | $I_F = 20\text{mA}$ Yellow | | 120 | - | deg |

*2 Color Coordinates has an accuracy of ± 0.01 .

*3 Dominant Wavelength has an accuracy of $\pm 2\text{nm}$

*4 Luminous Intensity is tested by a tester calibrated by CAS 140B(CIE LED_B) and has an accuracy of 10%

*5 Viewing Angle is the angle until 50% of brightness measured from the front part of LED.

Topview 5050 SMD LED

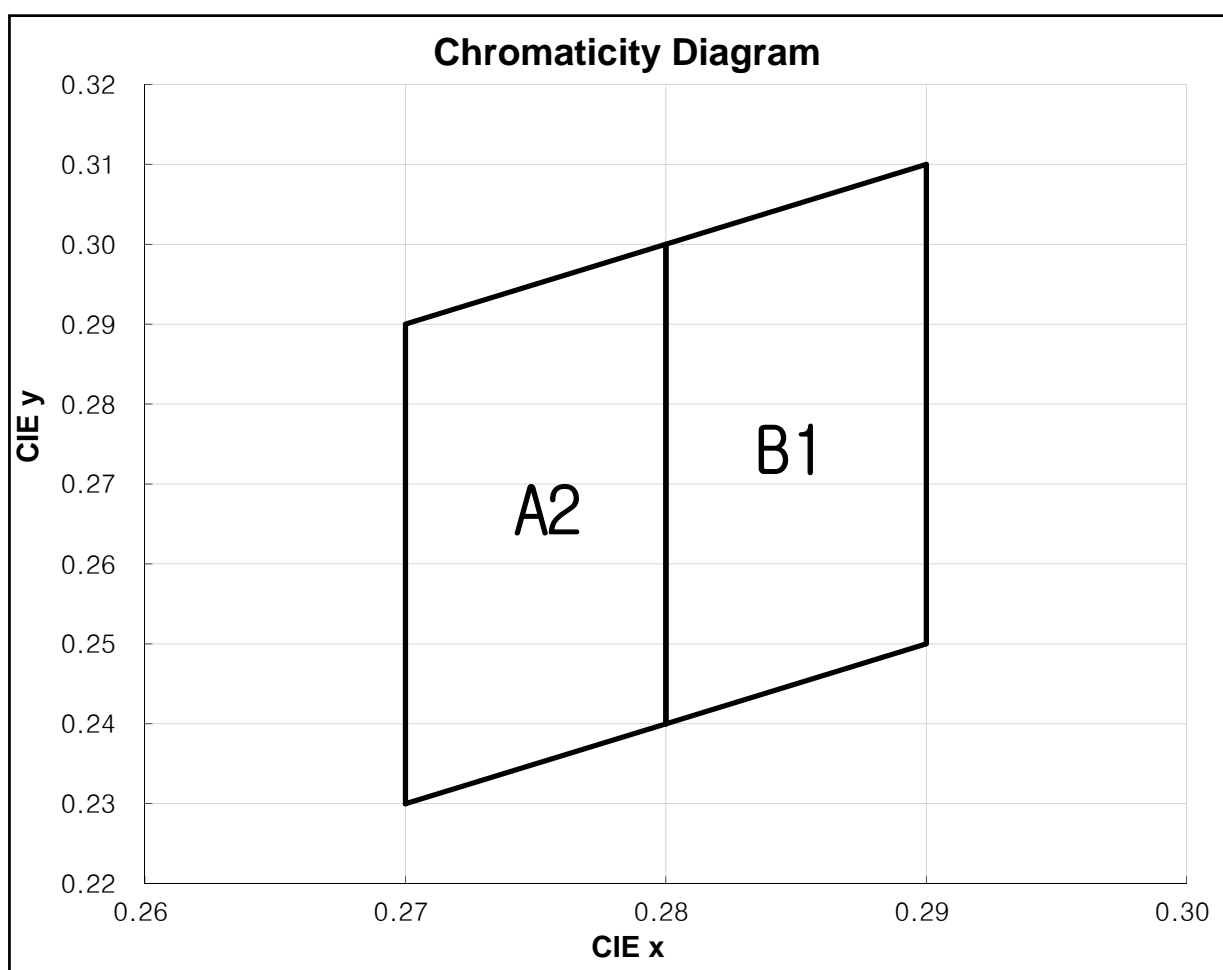
IWS-L5056-WYW-K3



- White

5.1 Color Coordinates Rank ($I_F = 40 \text{ mA}$, $T_a = 25 \text{ }^\circ\text{C}$)

| A2 | | B1 | |
|--------|--------|--------|--------|
| x | y | x | y |
| 0.2700 | 0.2300 | 0.2800 | 0.2400 |
| 0.2700 | 0.2900 | 0.2800 | 0.3000 |
| 0.2800 | 0.3000 | 0.2900 | 0.3100 |
| 0.2800 | 0.2400 | 0.2900 | 0.2500 |



5.2 Luminous Intensity Rank(mcd, White I_F = 40mA, Yellow I_F = 20mA)

| RANK | White | Yellow |
|------|-------------|------------|
| B | 3000 – 4000 | |
| C | 4000 - 5000 | |
| H1 | | 500 – 1100 |

5.3 Color Coordinates Rank / Dominant Wavelength Combination Rank (nm, White I_F = 40mA, Yellow I_F = 20mA)

| RANK | White | RANK | Yellow |
|------|--|------|-----------|
| A2 | CIEx : 0.2700 / CIEy : 0.2300 CIEx : 0.2700 / CIEy : 0.2900 CIEx : 0.2800 / CIEy : 0.3000 CIEx : 0.2800 / CIEy : 0.2400 | B | 588 – 594 |
| B1 | CIEx : 0.2800 / CIEy : 0.2400 CIEx : 0.2800 / CIEy : 0.3000 CIEx : 0.2900 / CIEy : 0.3100 CIEx : 0.2900 / CIEy : 0.2500 | | |

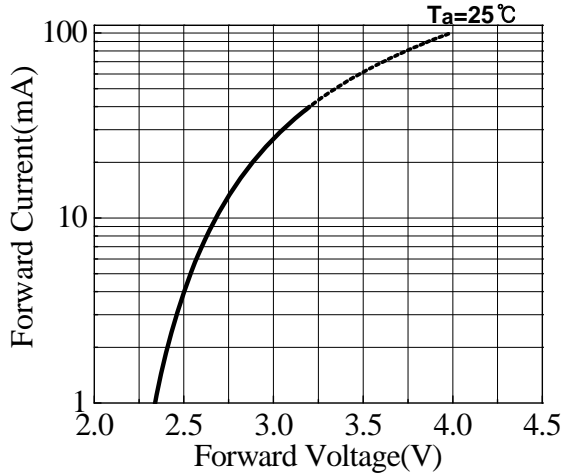
5.4 Forward Voltage Rank (V, White I_F = 40mA, Yellow I_F = 20mA)

| RANK | White | Yellow |
|------|-----------|-----------|
| 1 | 2.9 – 3.0 | 1.8 – 2.6 |
| 2 | 3.0 – 3.1 | |
| 3 | 3.1 – 3.2 | |
| 4 | 3.2 – 3.3 | |
| 5 | 3.3 – 3.4 | |

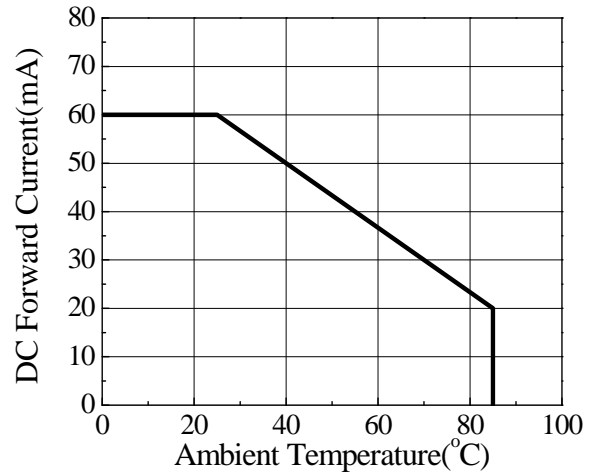
6. Typical Characteristics Curves

6-1. White

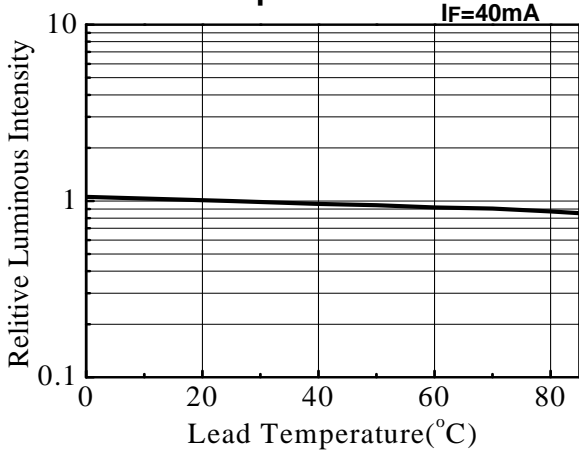
Forward Current vs. Forward Voltage



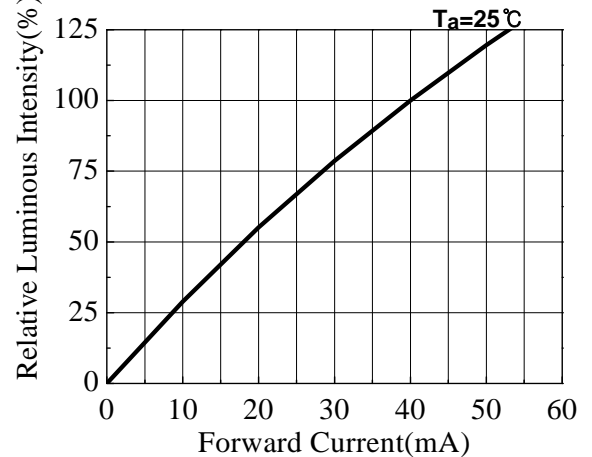
Forward Current vs. Ambient Temperature



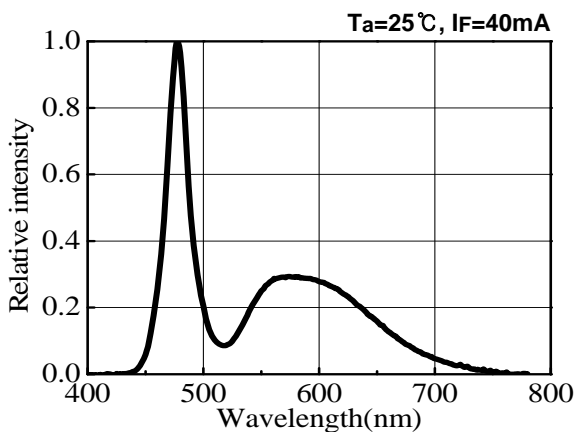
Relative Luminous Intensity vs. Ambient Temperature



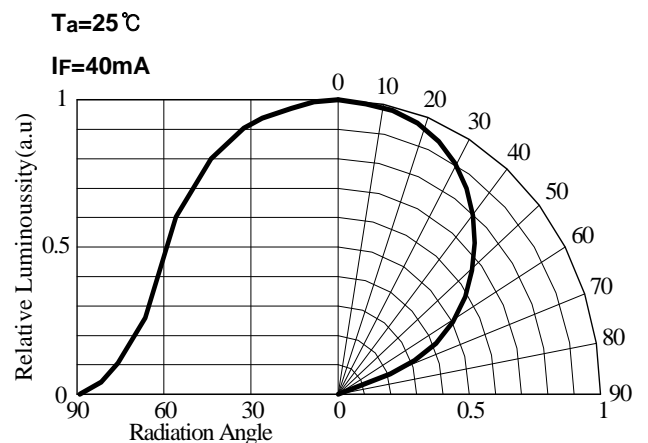
Relative Luminous Intensity vs. Forward Current



Relative Intensity vs. Wavelength



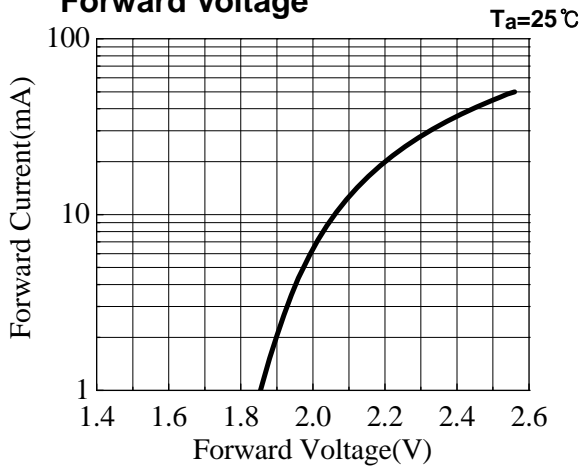
Radiation Diagram



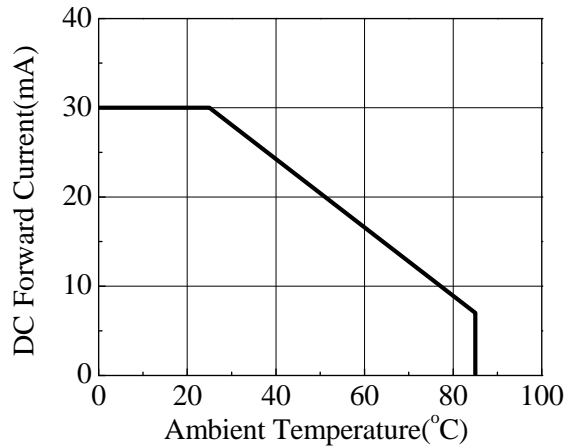
6. Typical Characteristics Curves

6-2. Yellow

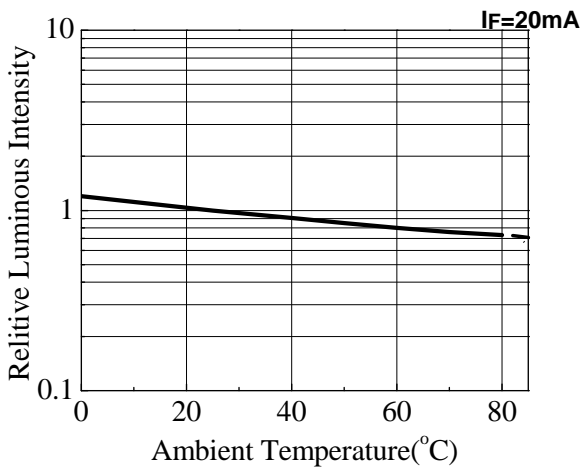
Forward Current vs. Forward Voltage



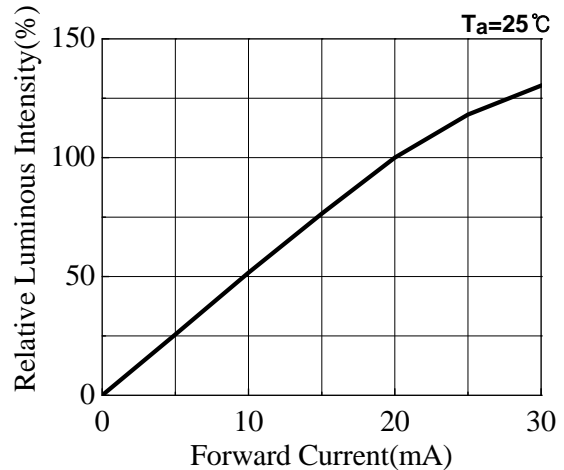
Forward Current vs. Ambient Temperature



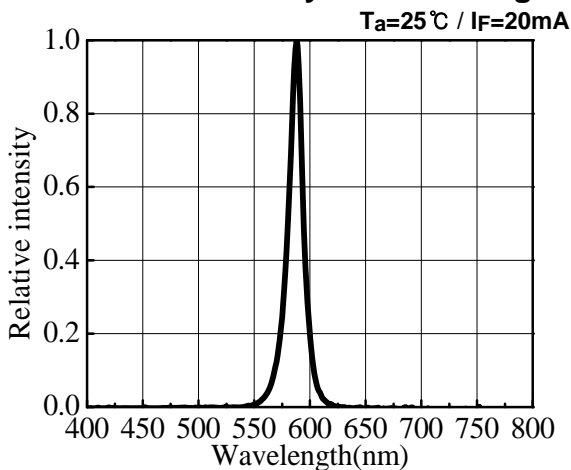
Relative Luminous Intensity vs. Ambient Temperature



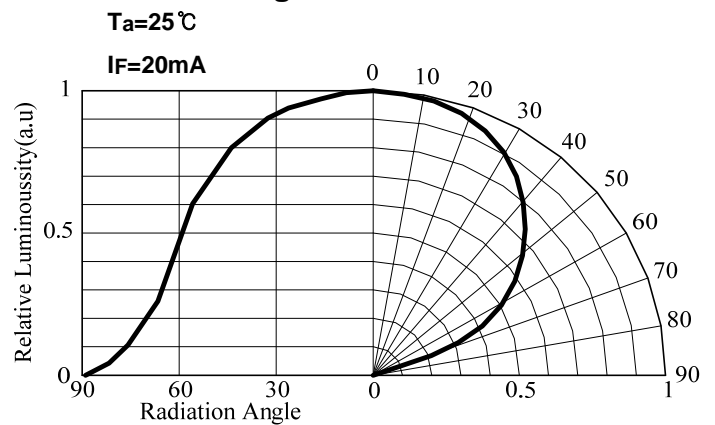
Relative Luminous Intensity vs. Forward Current



Relative Intensity vs. Wavelength



Radiation Diagram

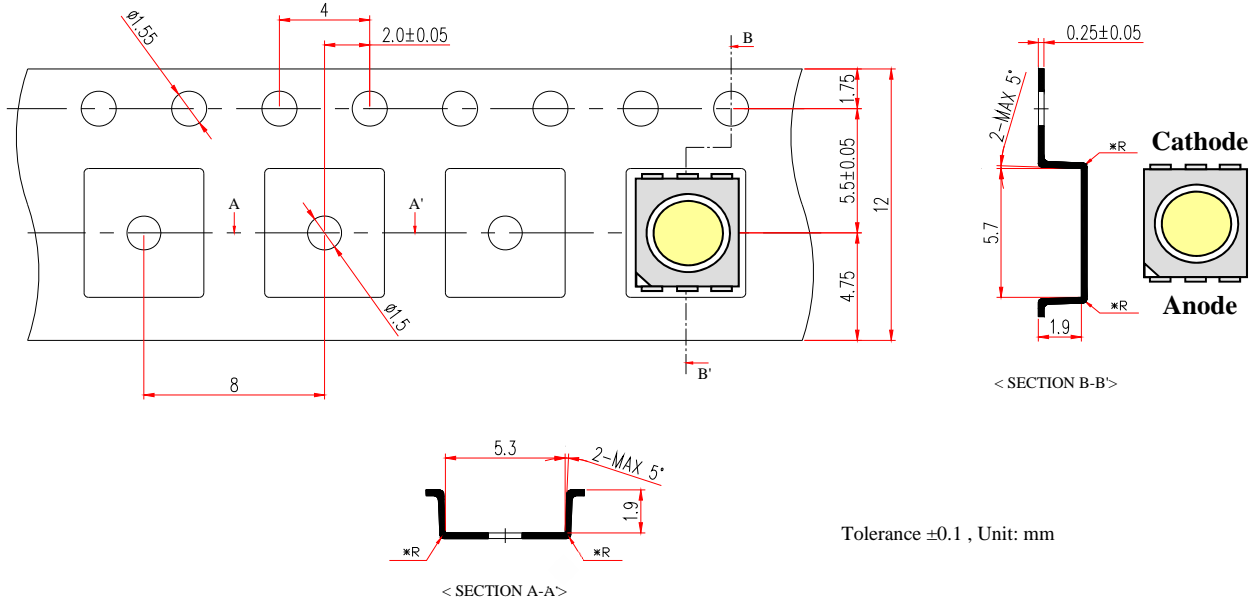


Topview 5050 SMD LED IWS-L5056-WYW-K3

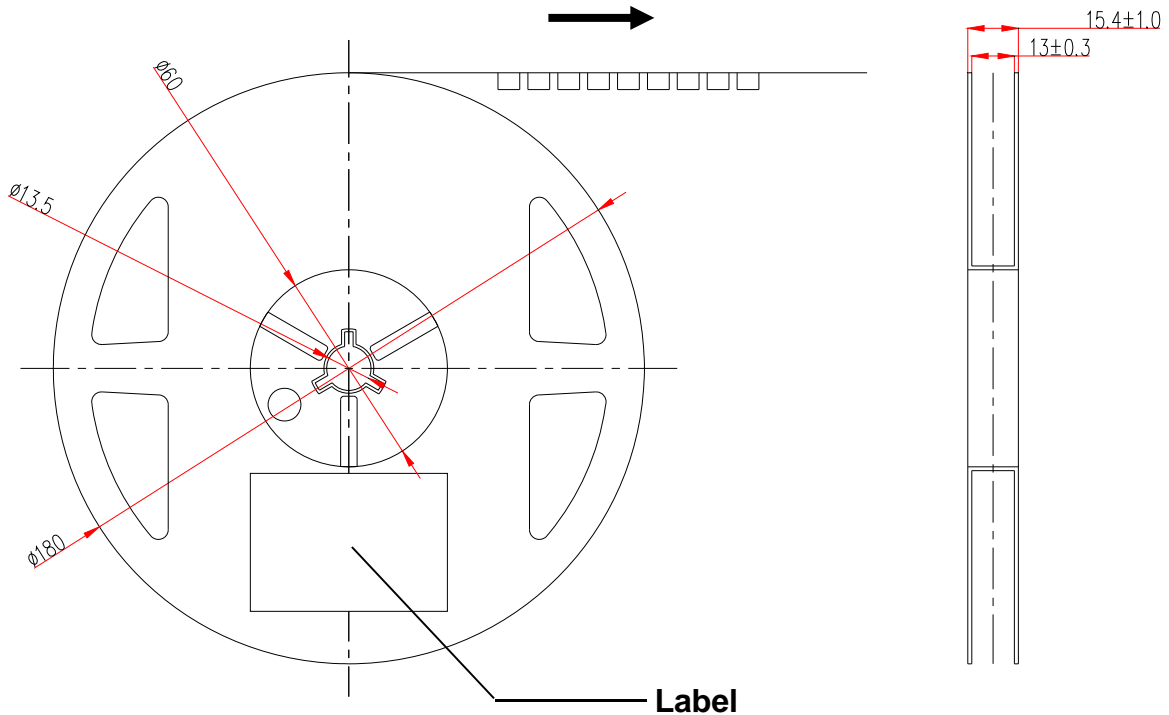


7. Dimension of Tape / Reel

7.1 Tape Dimension



7.2 Reel Dimension



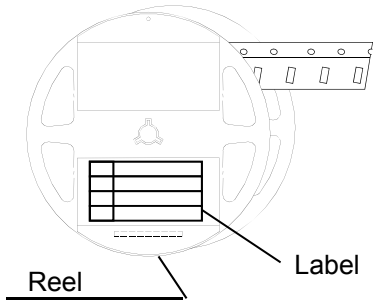
Topview 5050 SMD LED IWS-L5056-WYW-K3



8. Packing Dimension

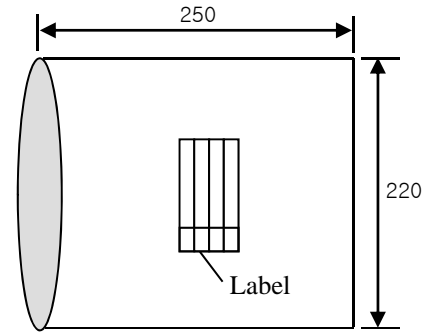
Unit :mm

Reel



Bake: 60°C, 48hrs

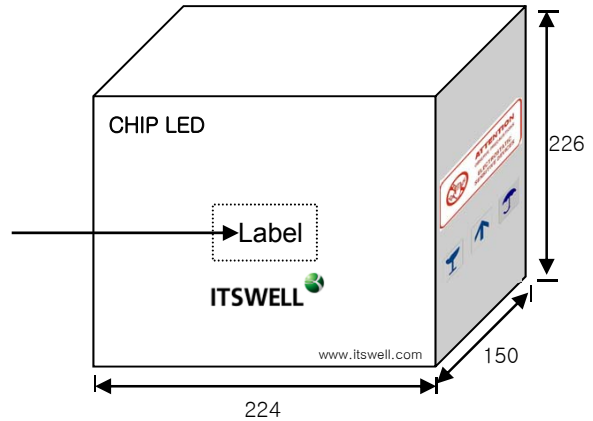
Aluminum Shield Bag



Including Silica gel in a bag



Card board Box



Al Pack Label, Reel Label

(70 × 37)

| | | | | |
|-----------------------|------------------|-----|-----|-----|
| ITSWELL | | | | |
| Lot : | IWS-L5056-WYW-K3 | | | |
| | MIN | AVG | MAX | STD |
| V _F [volt] | | | | |
| I _v [mcd] | | | | |
| Wd/CIE | | | | |
| Q'ty : | yyyy/mm/dd | | | |

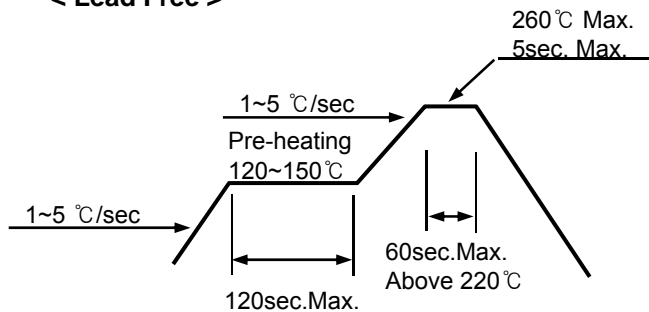
| | Dimensions (mm) | Reel / Box | Q'ty / Box(pcs) |
|----------------|-----------------------|------------|-----------------|
| Reel | Φ180mm, 15mm Width | - | 1,000 Max |
| Al Shield Bag | 250x220 | - | 1,000 Max |
| Card board Box | 224x150x226 | 9 Max | 9,000 Max |

9. Precaution in use

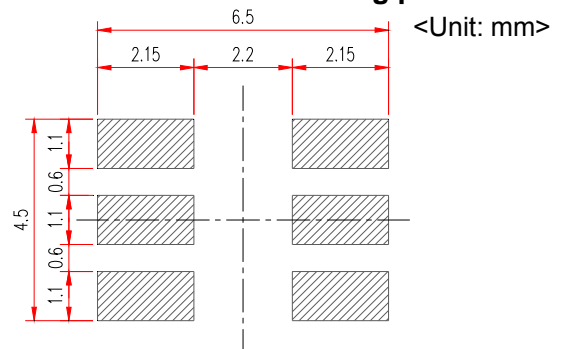
9.1 Soldering Conditions

- When soldering Power SMD, Heat may affect the electrical and optical characteristics of the LEDs.
- In soldering, do not stress the lead frame and the resin part under the high temperature.
- The silicone part should be protected from mechanical stress or vibration until the Power SMD return to room temperature after soldering.
- Preliminary heating to be at 120~150 °C max. for 120 Seconds max.
- Soldering heat to be at 260 °C max. for 5 sec. Max.
- For manual Soldering is Not more than 3 sec @MAX 350 °C, under soldering iron

< Lead Free >



<Recommendable soldering pattern>



9.2 Storage

- Before opening the package, the LEDs should be kept at 30 °C or less and 70%RH or less.
- After opening the package, the LEDs should be kept at 30 °C or less and 30%RH or less.
- If the moisture absorbent material (silicagel) has faded away or the LED have exceeded the storage time, baking treatment should be performed using the following conditions.
Baking treatment: 60 °C ±5 for 48 hours.

9.3 Static Electricity

- Static electricity or surge voltage damages the Power SMD . It is recommended that a wrist band or an anti-electrostatic glove be used when handling the LEDs.
- A tip soldering iron is requested to be grounded. An ionizer should also be installed where risk of static.
- All devices, equipment and machinery must be properly grounded (via 1MΩ). It is recommended that measures be taken against surge voltage to the equipment that mounts the Power SMD.

9.4 Cleaning

- Isopropyl Alcohol or Ethylene Alcohol is recommended in 5 minutes at room temperature.
Don't use unspecified chemical may cause crack or haze on the surface of the epoxy resin.
- Before cleaning, a pre-test should be done to confirm whether any damage to the LED will occur.
- Freon solvents should not be used to clean the LEDs because of worldwide regulations.

9.5 Heat Generation

- When the LEDs are illuminating, operating current should be decided after being considering the ambient maximum temperature.
- Please consider the heat generation of the LED when it is designed the PCB.

10. Reliability

10.1 Reliability Test Item

| Test Items | Test Conditions | Notes |
|---|-------------------------------------|-------|
| High Temperature Storage | 100℃, 1,000hr. | 0/25 |
| Low Temperature Storage | -40℃, 1,000hr. | 0/25 |
| Temp. Humidity Storage | 60℃, 90% RH, 1,000hr. | 0/25 |
| Steady State Operating life | 25℃, 72mA, 1,000hr. | 0/25 |
| High Temperature Operating Life | 85℃, 30mA, 1,000hr | 0/25 |
| Low Temperature Operating Life | -30℃, 60mA, 1,000hr. | 0/25 |
| Steady State Operating life Of High Humidity Heat | 60℃, 90% RH, 45mA, 1,000hr. | 0/25 |
| Thermal Shock | -40℃(30min)↔100℃(30min.), 100 cycle | 0/20 |
| ESD | HBM, 100 pF, 1.5 kohm, 3 times | 0/20 |

10.2 Criteria for Judging the Damage

| Parameters | Test Conditions | Criteria for judgment |
|------------------------------|-----------------------|-----------------------|
| Forward Voltage (V_F) | $I_F = 60 \text{ mA}$ | Less than 110% of U |
| Luminous Intensity (I_v) | $I_F = 60 \text{ mA}$ | > 70% of S |

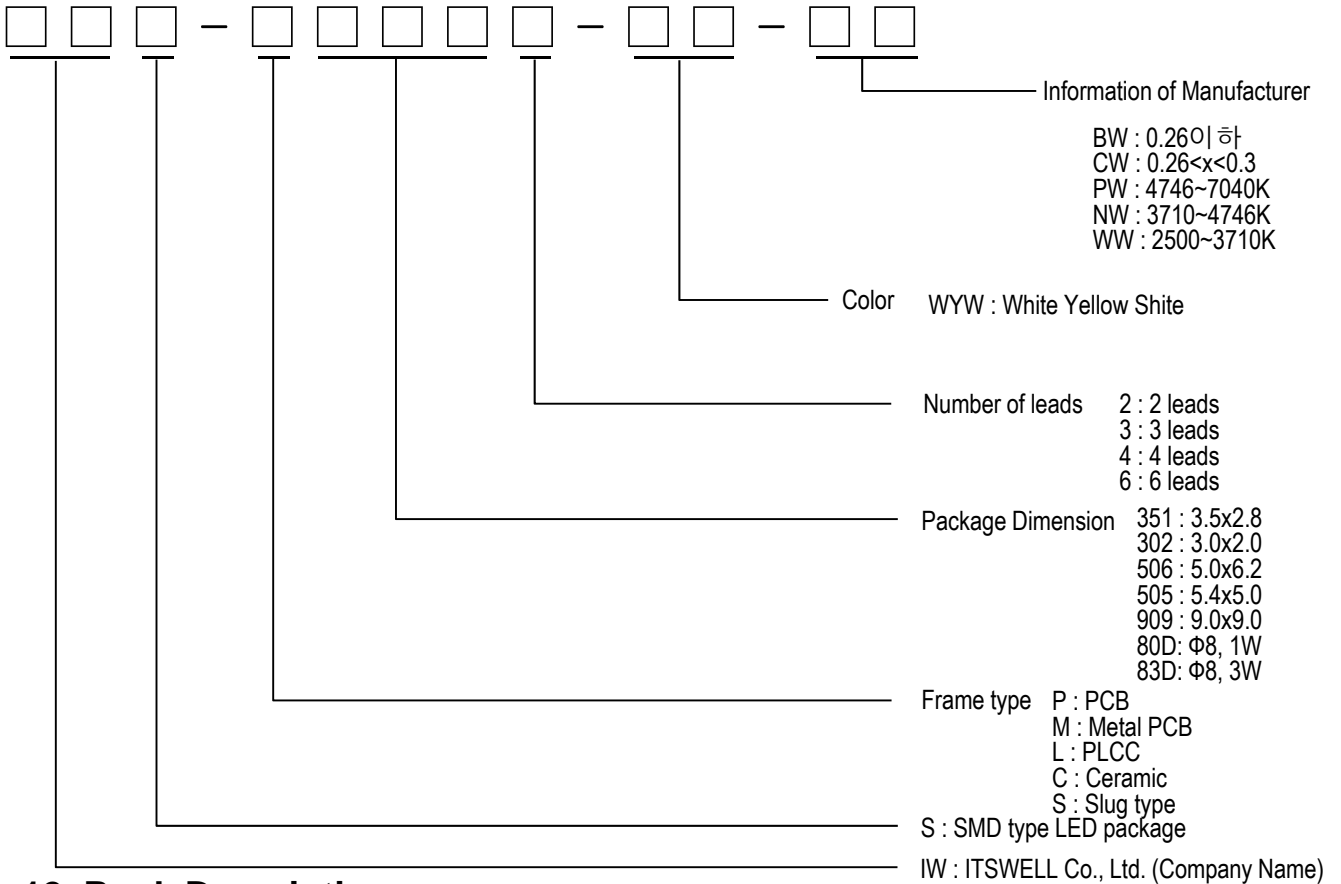
* U means the upper limit of specified characteristics, S means initial value.

Topview 5050 SMD LED

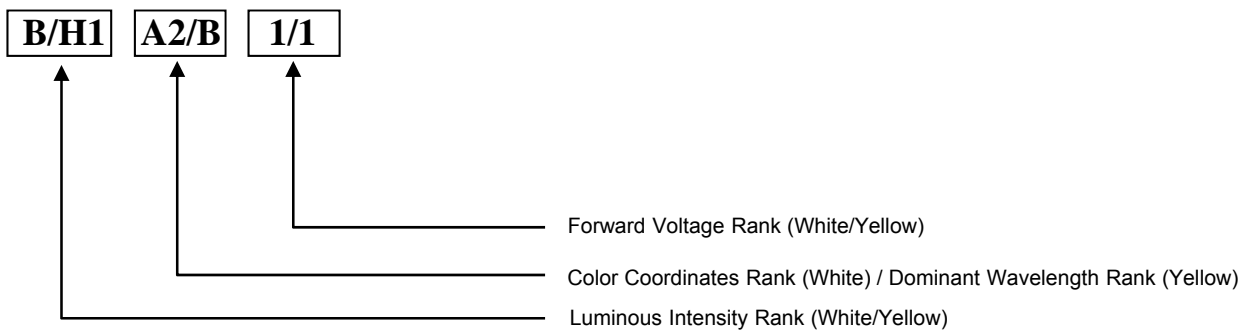
IWS-L5056-WYW-K3



11. Part Name Description



12. Rank Description



13. Attention : Electric Static Discharge (ESD) Protection



The symbol shown on the page herein to introduce 'Electro-Optical Characteristics'. ESD protection for GaP and AlGaAs is based chips is still Necessary even though they are safe in low static-electric discharge. Material in AlInGaP, GaP, or/and InGaN based chips are STATIC SENSITIVE devices. ESD protection has to considered and taken in the initial design stage. If manual work/process is needed, please ensure the device is well protective From ESD during all the process.

■ Spec. Review History

| Review Ver. | Date | Correction List | Etc. |
|-------------|------------|-----------------|------|
| Ver 1.0 | 2011.10.06 | Established | |
| | | | |
| | | | |
| | | | |
| | | | |
| | | | |
| | | | |
| | | | |
| | | | |
| | | | |
| | | | |
| | | | |
| | | | |
| | | | |
| | | | |
| | | | |
| | | | |
| | | | |
| | | | |
| | | | |
| | | | |
| | | | |
| | | | |
| | | | |
| | | | |
| | | | |
| | | | |
| | | | |
| | | | |
| | | | |